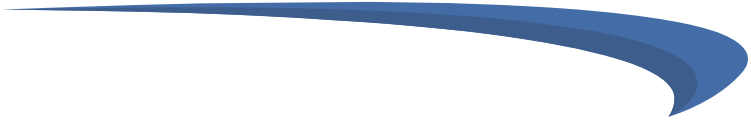
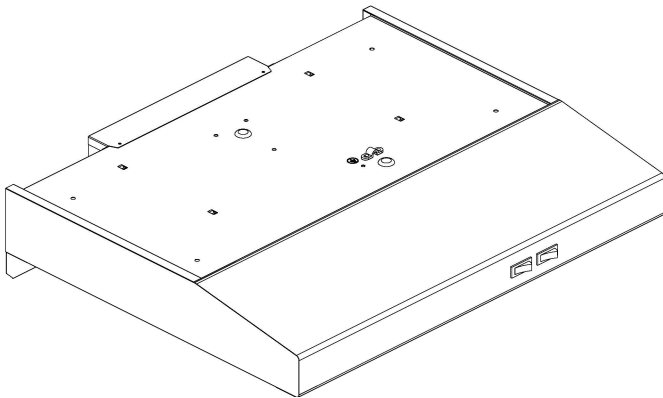


REC PRO[®]



INSTRUCTION MANUAL Range Hood

Models: RP-RH-22-BL/SS



Introduction

Your range hood is made with top grade materials. By using anti-rust material and a special spray coating paint we've improved the quality verses competitors. Economical metal filter helps make cleaning your range hood easy.

ATTENTION: Please read this manual carefully before use.

*Please periodically wash to prolong the hood's life and keep the kitchen clean.

Washing Method

Wet a soft cloth with warm water and a neutral detergent. Wipe the hood surface to clean, then wipe again with a dry cloth to remove excess moisture.

DO NOT use an alkaline based detergent or a disinfectant because they will be harmful to the hood's surface. Air circulates poorly if any oil left on the metal filter.

Remove the filters and soak it in a mix of neutral detergent and hot water for 30-40 minutes. Allow the filters to dry before it's put back in.

Use care when cleaning the metal filter and charcoal filter. Replace the filters every 3 months.

Assembly Warnings

Do not attach the range hood to flammable smoke pipe or chimney.
Verify that the power source is suitable for the hood before installation. (12v)
Install the range hood 19.5 inches above the cooking surface.

Safety Warnings

***The following guidelines protect user's personal safety and keeps belongings from being damaged.**

***Please read the content carefully and use the range hood correctly.**

***Approved for RV use.**

1. Children are not to operate the range hood. (Risk of electric shock or bodily harm)
2. Do not remove the filters when the hood is in use. (Risk of bodily harm from motor)
3. Be sure that any changes, repairs, or removal of range hood done by someone with a full understanding of the hood functions and limitations. (Risk of electric shock or fire)
4. Do not put your hands into the range hood when filters removed for washing. (Risk of electric shock or bodily harm)
5. Do not use benzene, acetone or thinner to clean.
6. If you suspect gas has leaked or is in the surrounding area, do not touch the range hood. Please insure the air is circulating and the gas dissipates before resume use of hood. (Risk of spark, a blast, or fire).
7. Make sure power off when washing any part of the range hood. (Risk of electric shock or fire)
8. Do not attempt any repairs if the power cord is broken or damaged. Connect the manufacture immediately for repair. (Risk of electric shock or fire)
9. Please insure proper air ventilation when gas burners are in use. (Rick of fire)
10. Please clean the range hood intermittently and use the correct method provided in this manual. (Risk of fire)

LED Light Changing Method

Disconnect power and unplug the power cord before performing any other steps.

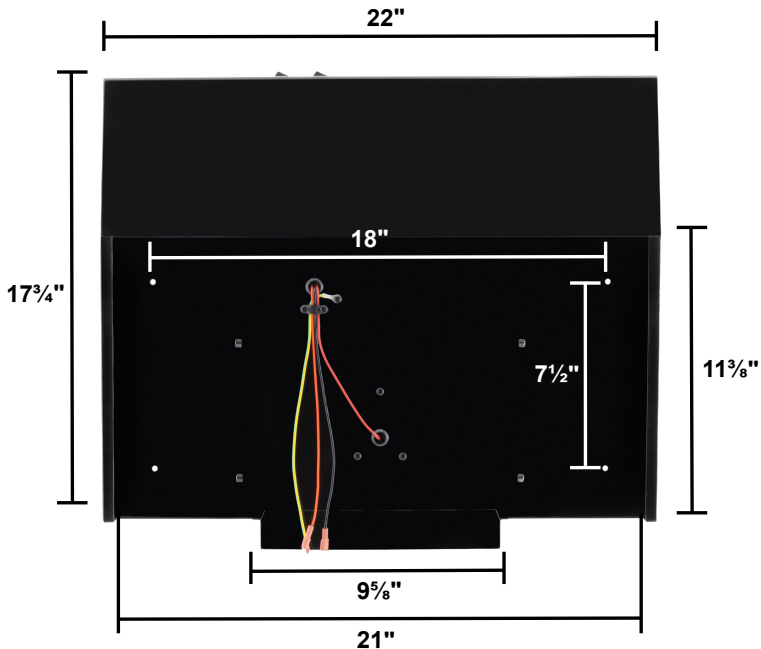
1. Remove light cover to change the proper LED light bar.
2. Fasten the LED light bar to the metal cover with double sided adhesive tape.
3. Reattach the lamp cover to the range hood. Make sure the location on the lamp against the LED bar surface to prevent it from being a loose connection.

This appliance uses DC 12V storage battery as a power supply.

Exposed red line is "positive pole". Exposed white line is "negative pole(-)".

Battery must be connected by someone who has knowledge of the range hood.

Installation method diagram shown below.



Fan Motor Rating: 12V DC 0.8A
LED Lamp Rating: 12V DC 0.16A
Fuse Rating: SA

This unit needs a 19.5 inch clearance when installing.

Important Safety Instructions READ AND SAVE THESE INSTRUCTIONS WARNING- To reduce the rise of fire, electric shock, or injury to persons, observe the following:

A) Use this unit only in the manner intended by the manufacturer. If you have any questions, contact the manufacturer.

B) Before servicing or cleaning the unit, switch power off or prevent power from being switched accidentally.

CAUTION- For general ventilating use only. Do not use to exhaust hazardous or explosive materials and vapors.

WARNING- To reduce the risk of a grease fire:

A) Never leave surface units unattended. Boil overs cause smoking. Greasy spill overs may ignite. Heat oil slowly on low or medium settings.

B) Always turn hood on when cooking on high heat.

C) Clean ventilation fans frequently. Grease should not accumulate on fan or filter.

D) Use proper pan size. Always use cookware appropriate for the size of the surface element.

WARNING- To prevent injury to persons in the event of a range top grease fire, observe the following:

A) Smother flames with a close-fitting lid, cookie sheet, or metal tray, then turn off the burner. Be careful to prevent burns. If the flames do not go out immediately, evacuate and call the fire department.

B) Never pick up a flaming pan. (You may be burned)

C) Do not use water, including wet dish cloths or towels (A violent steam explosion will result)

D) Use an extinguisher only if:

- 1). You know you have a class ABC extinguisher, and you already know how to operate it.
- 2). The fire is small and contained in the area where it started.
- 3). The fire department has been called.
- 4). You can fight the fire with your back to an exit.

REC PRO[®]

806 S. Division St.
Bristol, IN 46507
(574) 848-0405
info@recpro.com